

**Resultate Schweizermeisterschaften
Parallel-Buckelpiste 2010**

Engstligenalp Adelboden, Sonntag 11. April 2010

Damen

- 1. Samantha Gobbi, 1991, Skiclub Airolo**
- 2. Martina Schreiber, 1992, Freestyle Team Fricktal**
- 3. Ana-Maria Grassi, 1993, Skiclub Airolo**

Herren

- 1. Lorenz Hilpert, 1985, Freestyle Team Fricktal**
- 2. Marco Tadé, 1995, Skiclub Airolo**
- 3. Nadir Lafranchi, 1988, Skiclub Tamaro**

Junioren

- 1. Marco Tadé, 1995, Skiclub Airolo**
- 2. Simone Filippini, 1994, Skiclub Airolo**
- 3. Tristano Martini, 1995, Skiclub Pianturina**

Hauptsponsor:



Sponsoren:

RAIFFEISEN



Supplier:

Adelboden
Freizeiten

HEAD

coop



Partner:



Swiss Moguls Championships

Adelboden - Engstligenalp
Apr 11, 2010 (Sun) ()

Head Judge: CLOT, Monique
Chief of Comp: HILPERT, Daniel
T.D.: PERRETEN, Christoph
Chief of Scoring: PERRETEN, Christoph
Judge 1: LEONI, Giovanni
Judge 2: ENGELHART, Karl
Judge 3: CLOT, Monique
Judge 4: CLOT, Monique
Judge 5: LEONI, Giovanni

Course: Engstligenalp

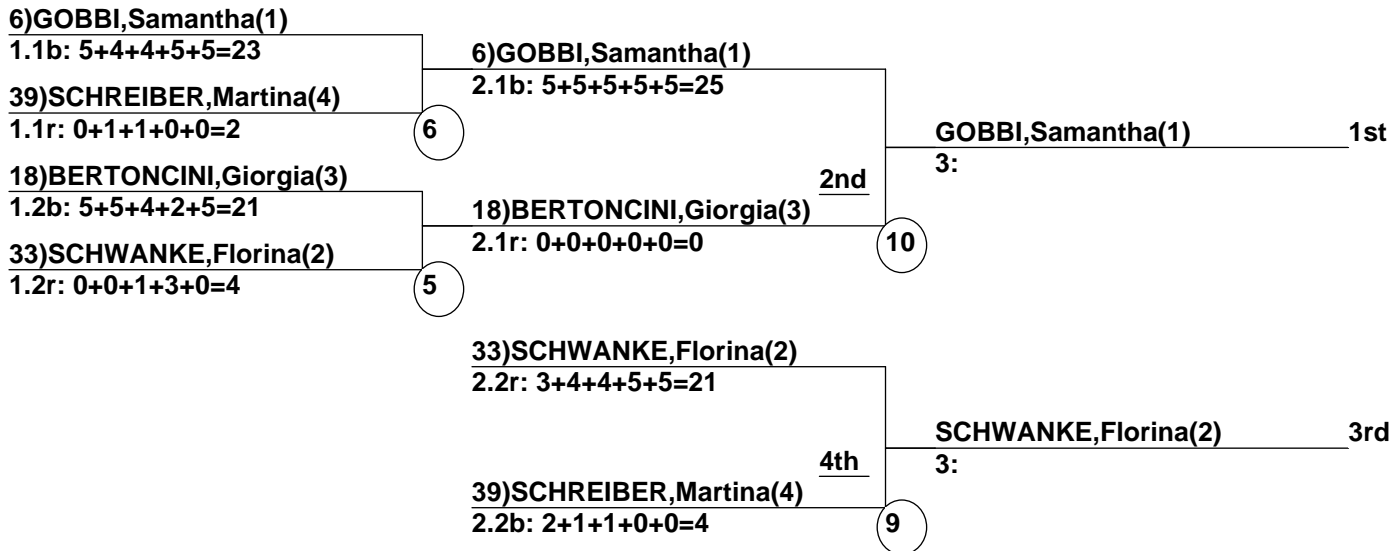
Head Judge

Chief of Scoring

T.D.

Final Dual Event Date: Apr 11, 2010 (Sun)
Female (By Final Dual Run-order) Time: 10:40 pm
Adelboden - Engstlig Swiss Moguls Champio

Female



Swiss Moguls Championships

Adelboden - Engstligenalp
Apr 11, 2010 (Sun) ()

Head Judge: CLOT, Monique
Chief of Comp: HILPERT, Daniel
T.D.: PERRETEN, Christoph
Chief of Scoring: BUMANN, Nicole
Judge 1(T&L): LEONI, Giovanni
Judge 2(T&L): ENGELHART, Karl
Judge 3(Air): CLOT, Monique

Course: Engstligenalp
Length: 180 m
Width: 8 m
Pitch: 24 deg
Pace: Male = 18.55, Female = 21.95

Head Judge
Chief of Scoring
T.D.

Qualification Dual Event Date: Apr 11, 2010 (Sun)
Female (By Score) Time: 10:30 pm
Adelboden - Engstlig Swiss Moguls Champio

No	Bib Name	FIS#	Gp	Rep	T&L-->			Air-->				Judge	Time	Pts	Run	Event
					J.1	J.2	T&L	J.3	Jumps	DofD	Airs					
1	6 GOBBI, Samantha	2527012	F	SUI	3.8	3.8	11.4	2.2 1.9	S TT	0.760 0.900	3.38	14.78	24.48	4.61	19.39	19.39
2	33 SCHWANKE, Florina	2527890	F	GER	3.0	2.8	8.7	2.0 1.3	S TS	0.760 0.940	2.74	11.44	27.01	3.23	14.67	14.67
3	18 BERTONCINI, Giorgi	2526605	F	ITA	2.2	1.8	6.0	1.1 1.5	3 S	1.200 0.760	2.46	8.46	25.47	4.07	12.53	12.53
4	39 SCHREIBER, Martina	2527857	F	SUI	1.8	2.1	5.9	1.2	S	0.760	0.91	6.76	34.74		6.76	6.76
5	7 GRASSI, Ana Maria	2527701	F	SUI	1.1	1.5	3.9	1.0 1.5	3 S	1.200 0.760	2.34	6.24	42.07		6.24	6.24
6	4 GASPARINI, Nicole	2528169	F	SUI	0.4	0.4	1.2	1.5 1.7	S 3	0.760 1.200	3.18	4.38	(none)		4.38	4.38
7	22 KLOBASA, Claudia	2528287	F	AUT			dns				dns		(none)		dns	dns

Male = 18.55, Female = 21.95

Winfree 2010.07, FIS Rules, Rand=251 @ 8:40a(10-4-11), M3, Elim

Swiss Moguls Championships

Adelboden - Engstligenalp

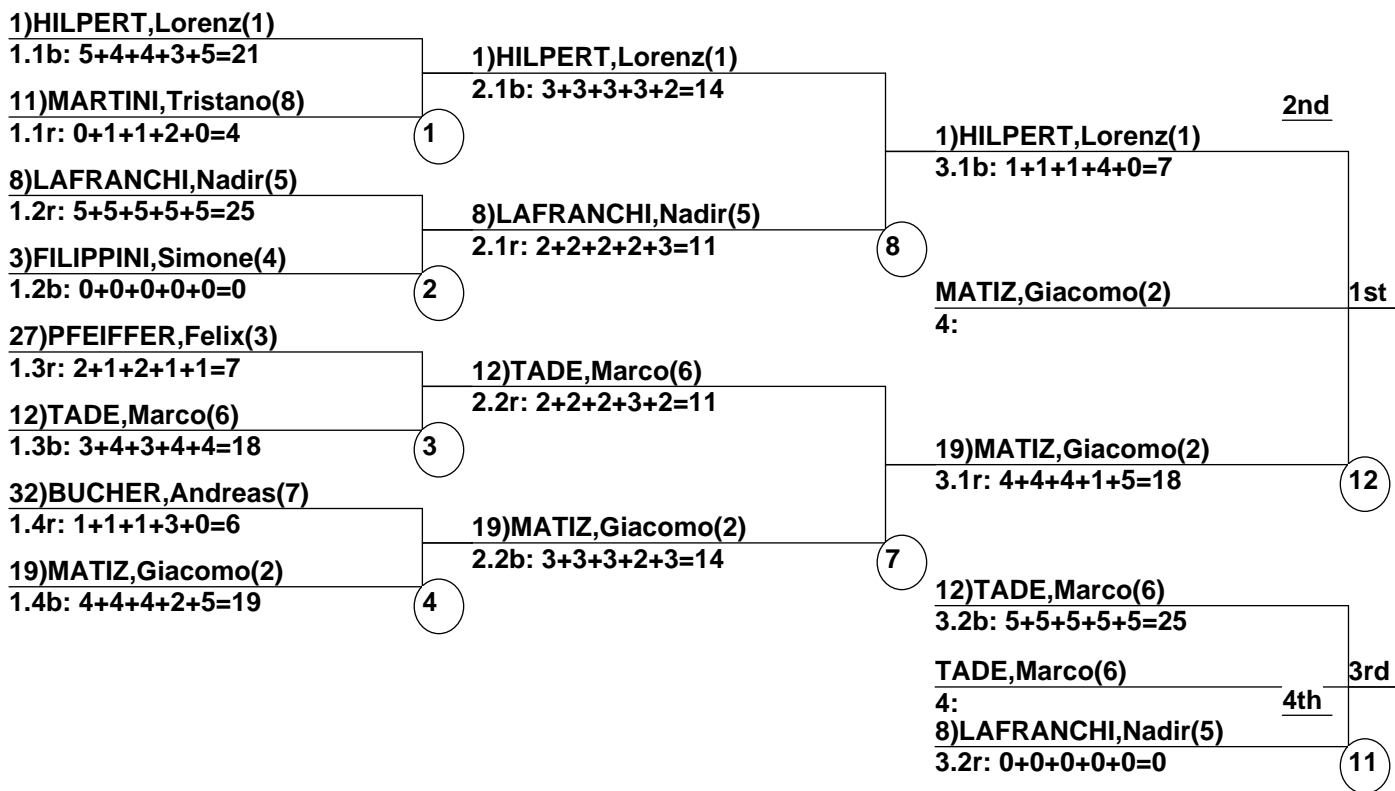
Apr 11, 2010 (Sun) ()

Head Judge: CLOT, Monique
 Chief of Comp: HILPERT, Daniel
 T.D.: PERRETEN, Christoph
 Chief of Scoring: PERRETEN, Christoph
 Judge 1: LEONI, Giovanni
 Judge 2: ENGELHART, Karl
 Judge 3: CLOT, Monique
 Judge 4: CLOT, Monique
 Judge 5: LEONI, Giovanni

Course: Engstligenalp
 _____ Head Judge
 _____ Chief of Scoring
 _____ T.D.

 Final Dual Event Date: Apr 11, 2010 (Sun)
 Male (By Final Dual Run-order) Time: 10:39 pm
 Adelboden - Engstlig Swiss Moguls Champio

Male



Swiss Moguls Championships

Adelboden - Engstligenalp

Apr 11, 2010 (Sun) ()

Head Judge: CLOT, Monique
 Chief of Comp: HILPERT, Daniel
 T.D.: PERRETEN, Christoph
 Chief of Scoring: BUMANN, Nicole
 Judge 1(T&L): LEONI, Giovanni
 Judge 2(T&L): ENGELHART, Karl
 Judge 3(Air): CLOT, Monique

Course: Engstligenalp
 Length: 180 m
 Width: 8 m
 Pitch: 24 deg
 Pace: Male = 18.55, Female = 21.95
 _____ Head Judge
 _____ Chief of Scoring
 _____ T.D.

Qualification Dual Event Date: Apr 11, 2010 (Sun)
 Male (By Score) Time: 10:31 pm
 Adelboden - Engstlig Swiss Moguls Champio

No	Bib Name	FIS#	Gp	Rep	T&L-->			Air-->			Judge	Time	Pts	Run	Event	
					J.1	J.2	T&L	J.3	Jumps	DofD						Airs
1	1 HILPERT, Lorenz	3000165	M	SUI	4.0	4.1	12.1	1.6	3	1.050	3.99	16.14	20.72	4.59	20.73	20.73
								2.2	bPp	1.050						
2	19 MATIZ, Giacomo	2407185	M	ITA	4.3	4.3	12.9	2.0	T	0.570	2.72	15.62	20.54	4.71	20.33	20.33
								2.0	TS	0.790						
3	27 PFEIFFER, Felix	2527592	M	GER	4.0	4.0	12.0	1.3	3	1.050	3.50	15.50	22.90	3.18	18.68	18.68
								1.9	bPp	1.130						
4	3 FILIPPINI, Simone	2527550	M	SUI	3.3	3.7	10.5	1.9	3p	1.050	3.46	13.96	20.55	4.70	18.66	18.66
								1.6	TTT	0.920						
5	8 LAFRANCHI, Nadir	2484345	M	SUI	3.8	3.8	11.4	1.3	TT	0.750	2.44	13.84	20.64	4.64	18.48	18.48
								1.4	bPp	1.050						
6	12 TADE, Marco	2527554	M	SUI	2.6	3.0	8.4	2.0	7opA	1.240	3.58	11.98	20.73	4.58	16.56	16.56
								1.2	TTT	0.920						
7	32 BUCHER, Andreas	2527594	M	GER	3.6	3.8	11.1	1.4	TS	0.790	2.84	13.94	24.64	2.06	16.00	16.00
								1.9	TTT	0.920						
8	11 MARTINI, Tristano	2527552	M	SUI	2.8	3.0	8.7	1.5	3	1.050	2.69	11.39	21.83	3.87	15.26	15.26
								1.5	TT	0.750						
9	2 MUEHLEBACH, Floria	2527858	M	SUI	3.4	3.4	10.2	1.2	3	1.050	1.90	12.10	23.57	2.75	14.85	14.85
								.7	TTT	0.920						
10	31 SPRENZEL, Alexandre	2455879	M	GER	3.2	3.1	9.5	1.7	TS	0.790	1.34	10.79	23.21	2.98	13.77	13.77
11	9 LAFRANCHI, Pablo	2369743	M	SUI	1.9	2.0	5.8	1.1	3	1.050	2.83	8.68	22.57	3.39	12.07	12.07
								1.6	bPp	1.050						
12	10 MANNA, Nicolo	2528167	M	SUI	2.7	3.0	8.6	.9	3	1.050	1.61	10.16	26.34	0.96	11.12	11.12
								1.1	S	0.610						
13	35 SPRENZEL, Simon	2528562	M	GER	3.0	2.8	8.7	1.2	S	0.610	1.44	10.14	27.21	0.39	10.53	10.53
								.9	TS	0.790						
14	34 ECHTLER, Lukas	2528563	M	GER	1.3	1.2	3.8	1.1	S	0.610	1.01	4.76	(none)		4.76	4.76
								.4	DD	0.850						
15	38 SCHNELLMANN, Manue	2310083	M	SUI	0.5	0.8	2.0	1.4	K	0.620	1.74	3.69	26.50	0.85	4.54	4.54
								1.1	DT	0.800						
16	5 GASPARINI, Fabio	2527551	M	SUI			rns						(none)		rns	rns
17	24 BINDER, Juerg	2051771	M	SUI			dns						(none)		dns	dns
17	21 STEINWENDER, Phili	2477801	M	AUT			dns						(none)		dns	dns
17	23 KEFEDER, Michael	2527484	M	AUT			dns						(none)		dns	dns
17	30 ANTONAKAKIS, Tryph	2396903	M	GRE			dns						(none)		dns	dns

Male = 18.55, Female = 21.95

Winfree 2010.07, FIS Rules, Rand=251 @ 8:40a(10-4-11), M3, Elim